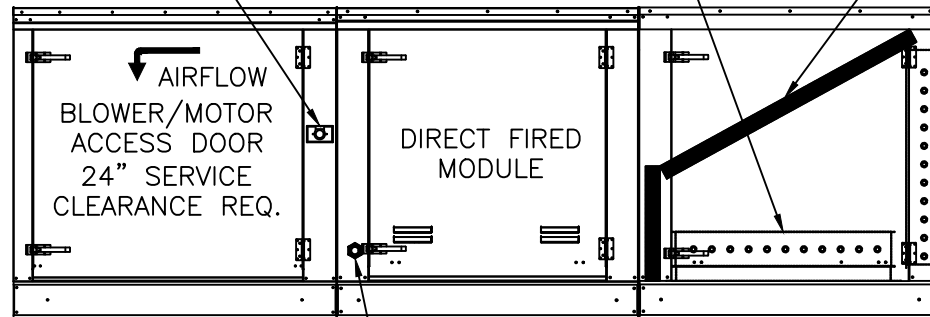


SERVICE DISCONNECT SWITCH

RETURN DAMPER

OPTIONAL FILTERS

INTAKE DAMPER



AIRFLOW
BLOWER/MOTOR
ACCESS DOOR
24" SERVICE
CLEARANCE REQ.

DIRECT FIRED
MODULE

AIRFLOW

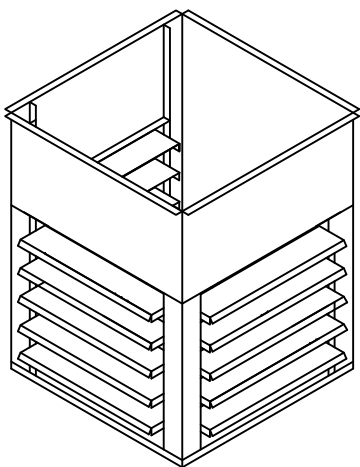
100% TO 20%
OUTSIDE AIR

GAS CONNECTION

FILTERED INTAKE HOOD

80% TO 0%
RETURN AIR

ADJUSTABLE SUPPLY
AIR 3-WAY SIDE TO
SIDE AND AWAY
FROM WALL



3 WAY DIFFUSER



**RD MODULAR ROOF MOUNTED
RE-CIRC DOWN DISCHARGE
W/ 3 WAY DIFFUSER**